

# **PA 15ECOMKII**

**PASSIVE 2 WAY FULL RANGE SPEAKER**

**User Manual**

## **Safety Precautions**

Flying and installation of this speaker cabinet must be carried out by suitably qualified personnel following the approved safety standards.

Do not attempt to clean the enclosure with solvents or petrochemical based cleaners.

Do not place objects which are sources of heat on the speaker cabinet such as lighting equipment or smoke machines.

Do not expose the speaker cabinet to direct precipitation or stand in water. Liquid getting into the box will risk a short circuit and will be hazardous.

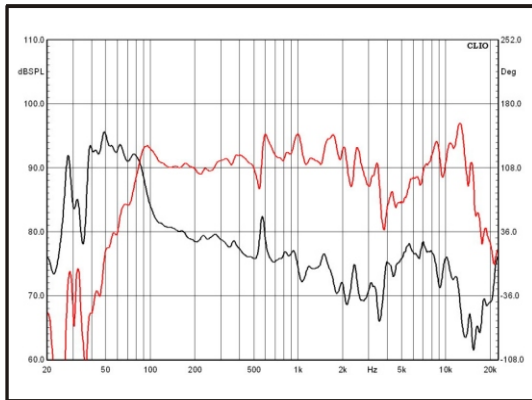
Do not stack the speaker cabinet in a manner that could cause injury should a cabinet become dislodged.

## **Attention**

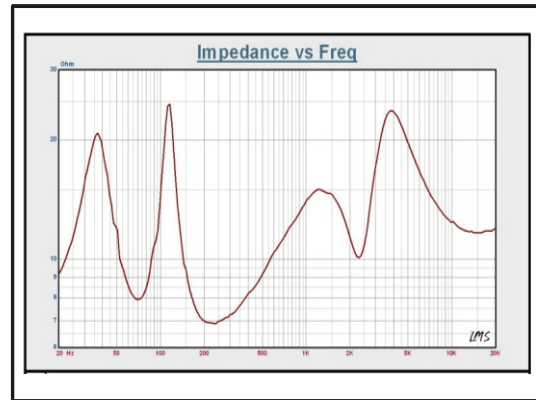
Before connecting or operating your new THOMANN MUSIKHAUS speaker, please study the accompanying instruction manual paying particular attention to the operating precautions and wiring procedure.

THOMANN MUSIKHAUS will not assume responsibility for incorrect installation or operation of this product.

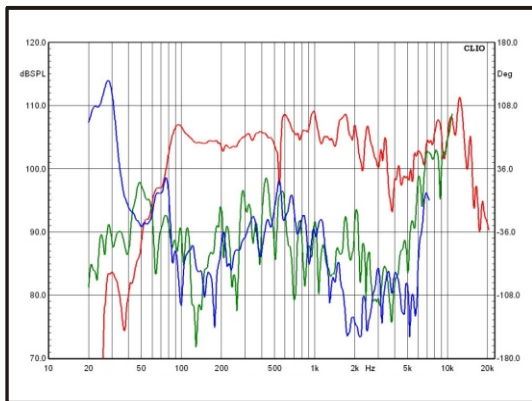
## Technical Measurements:



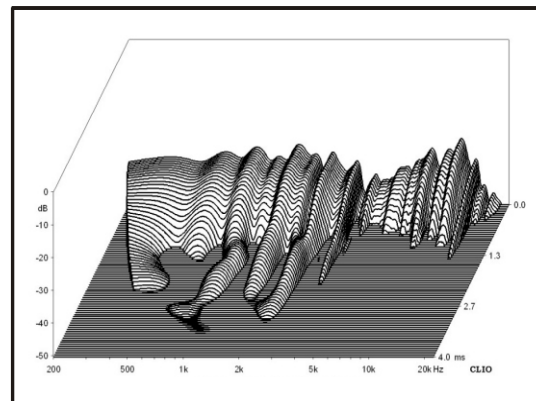
Frequency response, SPL/2.83v



Impedance curve

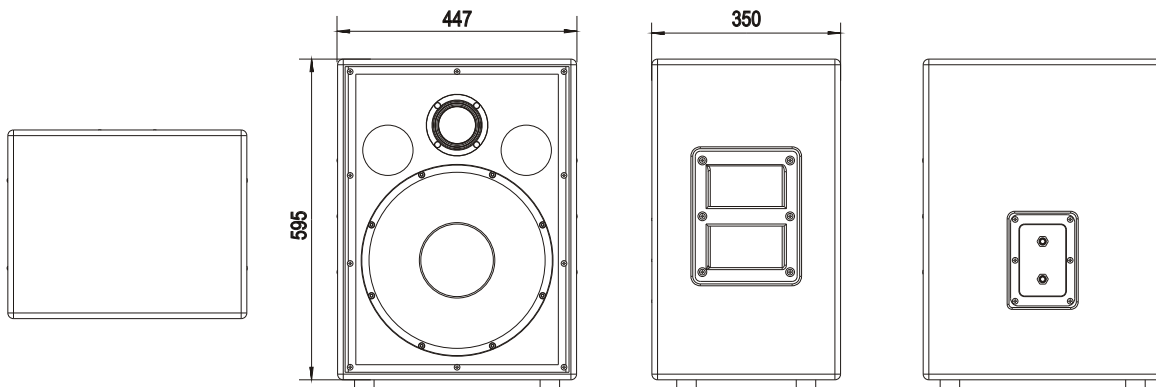


Harmonic distortion 106dB/2.5m, nominal impedance



Waterfall spectrum analysis

## Cabinet Dimension:



## Features:

- 15" woofer and 3" paper cone driver
- SPL 92 dB 1W/ 1m, 200W music.
- Frequency response 70- 15000 Hz.
- High intelligibility.
- Wooden cabinet with pole mount socket
- Rigid steel front grille.

## Specifications

System:	Built-in Crossover Two Way Full Range Speaker
Cabinet:	High intensity configuration
Driver Quantity:	15" x1(Bass) 3" x1(Driver)
Frequency Response(-3dB):	70Hz-15kHz
Sensitivity(dB/1W/1m):	92 dB
Impedance:	8 Ohm
Recommendatory Power(Music):	200 W
Power (Peak):	800 W
Max Sound Level(dB/1M):	115dB
Harmonic Distortion:	≤3%
Connectors:	6.35 socket×2
Dimensions(WxDxH mm/pcs):	447x350x595mm
Packing Dimensions(WxDxH mm/pcs)	535x435x690mm
Net Weight(Kg/pcs):	17.5kg
Gross Weight(Kg/pcs):	19.5kg

\* In the interests of product development, THOMANN MUSIKHAUS reserves the right to change and improve all specifications quoted.